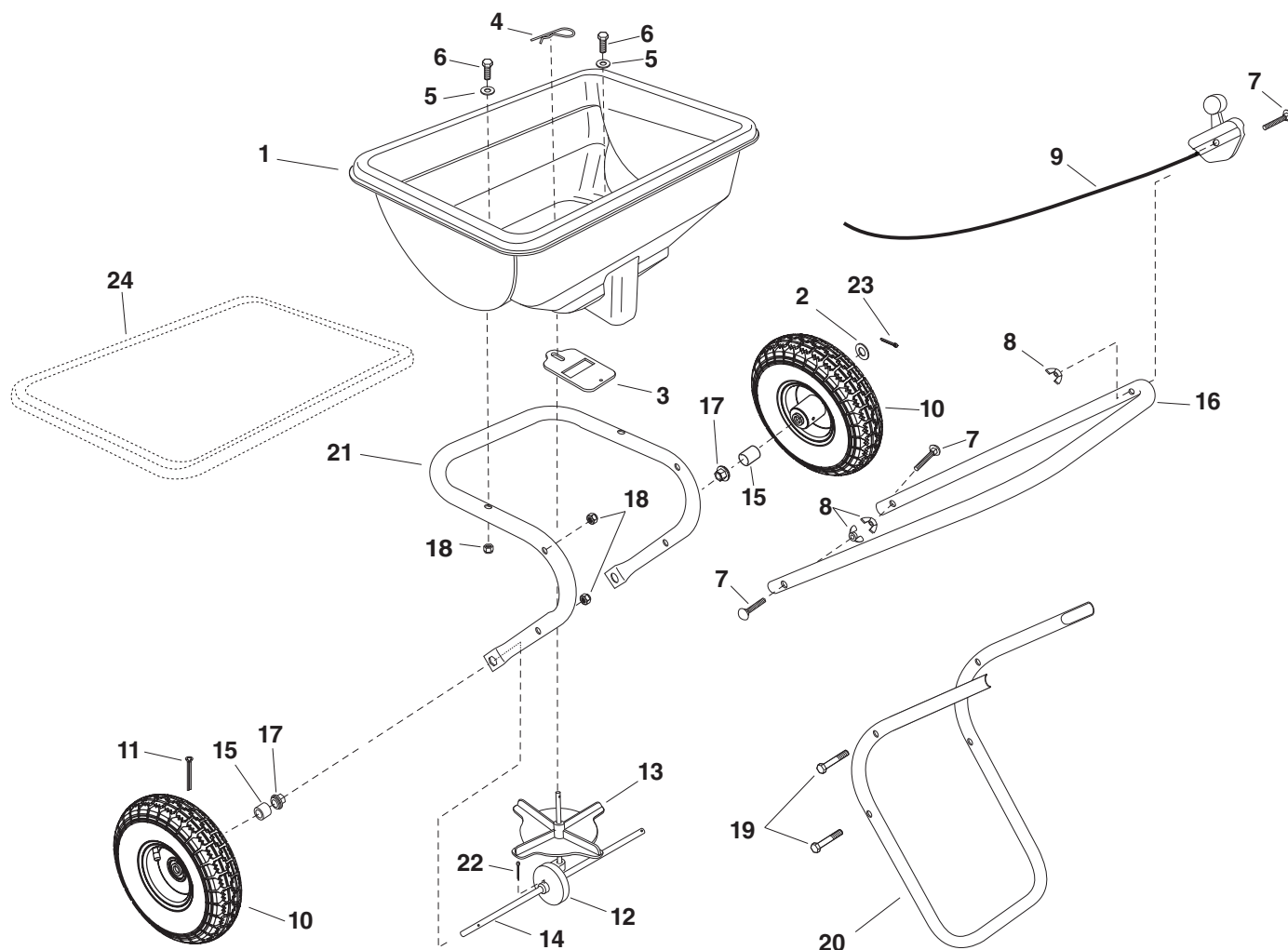


# 45-03884-KD



| REF | PART NO.  | QTY | DESCRIPTION                | REF | PART NO. | QTY | DESCRIPTION                     |
|-----|-----------|-----|----------------------------|-----|----------|-----|---------------------------------|
| 1   | 47994BLK  | 1   | Hopper                     | 14  | 28611M   | 1   | Axle, 1/2" OD Hollow            |
| 2   | R19171616 | 1   | Washer, .531 x 1 x .598    | 15  | 28324    | 2   | Spacer, .510 ID x .750 OD x .70 |
| 3   | 45505     | 1   | Plate, Flow                | 16  | 47985BL3 | 1   | Tube, Handle                    |
| 4   | 43343     | 1   | Agitator, Hairpin          | 17  | 47963    | 2   | Bearing, Hex Flange             |
| 5   | 43088     | 2   | Washer, .312 x .734 x .065 | 18  | 47189    | 6   | Hex Nut, Nylock 1/4"            |
| 6   | 43648     | 2   | Hex Bolt, 1/4-20 x 1-1/2"  | 19  | 46699    | 4   | Hex Bolt, 1/4-20 x 2"           |
| 7   | 45165     | 3   | Carriage Bolt, 1/4-20 x 2" | 20  | 28106BL3 | 1   | Tube, Leg                       |
| 8   | 47141     | 3   | Wing Nut, Nylon 1/4-20     | 21  | 49085BL3 | 1   | Tube, Frame                     |
| 9   | 49447     | 1   | Control Cable Assembly     | 22  | 43501    | 1   | Cotter Pin, 9/64" x 1-1/2"      |
| 10  | 45702GM   | 2   | Wheel & Tire Assembly      | 23  | 44101    | 1   | Pin, Cotter 3/32" x 3/4"        |
| 11  | 47063     | 1   | Pin, Cotter 5/32" x 2"     | 24  | 40883    | 1   | Cover, Hopper (Optional)        |
| 12  | 69209     | 1   | Gearbox Assembly           |     | 3-470    | 1   | Owner's Manual                  |
| 13  | 45504     | 1   | Impeller                   |     |          |     |                                 |

**SpeedEPart** the fastest way to purchase parts [www.speedepart.com](http://www.speedepart.com)